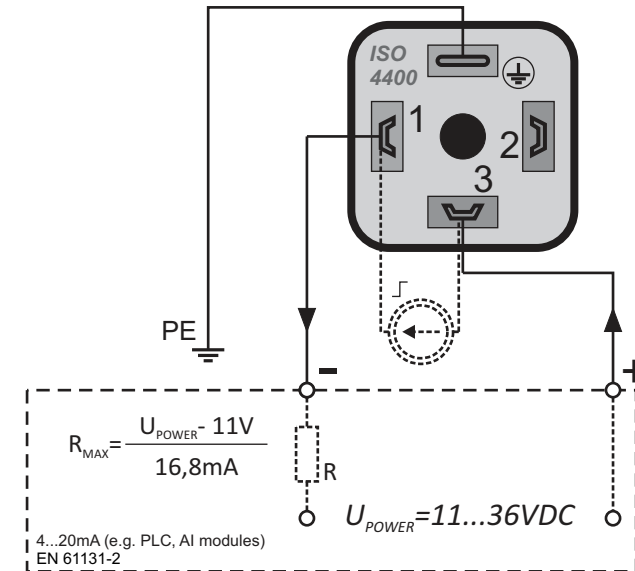


Operating mode	Level	Output	Control lamp	
			green LED	red LED
upper level detection <b>MAX</b> (overflow protection)		$\sim 16\text{mA}$ 3 → 1 <b>HIGH CURRENT</b>		
		$\sim 8\text{mA}$ 3 → 1 <b>LOW CURRENT</b>		
lower level detection <b>MIN</b> (dry running protection for pump)		$\sim 16\text{mA}$ 2 → 1 <b>HIGH CURRENT</b>		
		$\sim 8\text{mA}$ 2 → 1 <b>LOW CURRENT</b>		
damaged sensor		$< 3.6\text{mA}$ 3(2) → 1 <b>FAILURE CURRENT</b>		

legenda: - LED off, - LED on, - LED flashes.  
 $\sim 16\text{mA} = 16\text{mA} \pm 0,5\text{mA}$ ,  $\sim 8\text{mA} = 8\text{mA} \pm 0,5\text{mA}$ ,

pin number	designation
	protective terminal PE
1	current loop output
2	current loop input - mode <b>MIN</b>
3	current loop input - mode <b>MAX</b>

## Mode MAX



## Mode MIN

