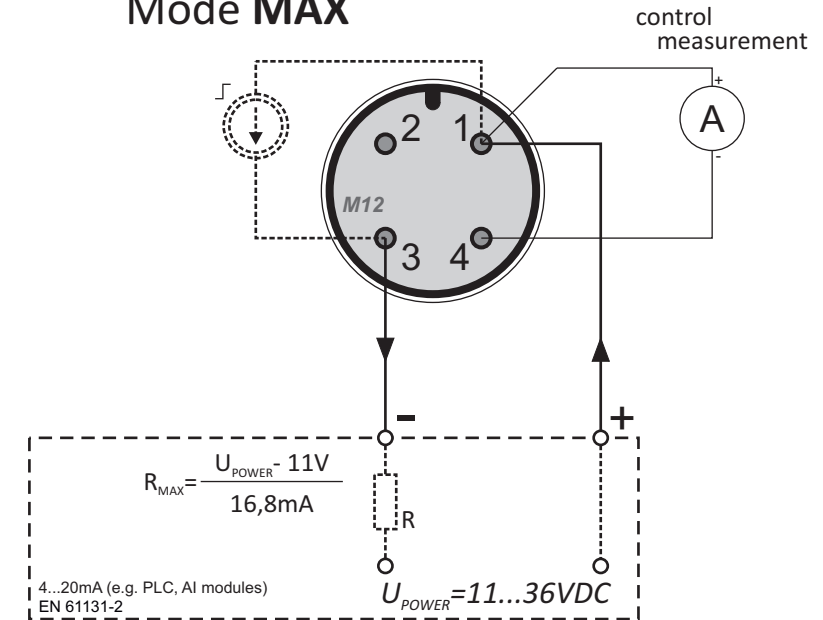


Operating mode	Level	Output	Control lamp	
			green LED	red LED
upper level detection MAX (overflow protection)		$\sim 16\text{mA}$ 1 → 3 HIGH CURRENT		
		$\sim 8\text{mA}$ 1 → 3 LOW CURRENT		
lower level detection MIN (dry running protection for pump)		$\sim 16\text{mA}$ 2 → 3 HIGH CURRENT		
		$\sim 8\text{mA}$ 2 → 3 LOW CURRENT		
damaged sensor		$< 3.6\text{mA}$ 1(2) → 3 FAILURE CURRENT		

legenda: - LED off, - LED on, - LED flashes.
 $\sim 16\text{mA} = 16\text{mA} \pm 0,5\text{mA}$, $\sim 8\text{mA} = 8\text{mA} \pm 0,5\text{mA}$,

M12 pin number	designation
1	current loop input - mode MAX
2	current loop input - mode MIN
3	current loop output
4	control output for ammeter

Mode MAX



Mode MIN

