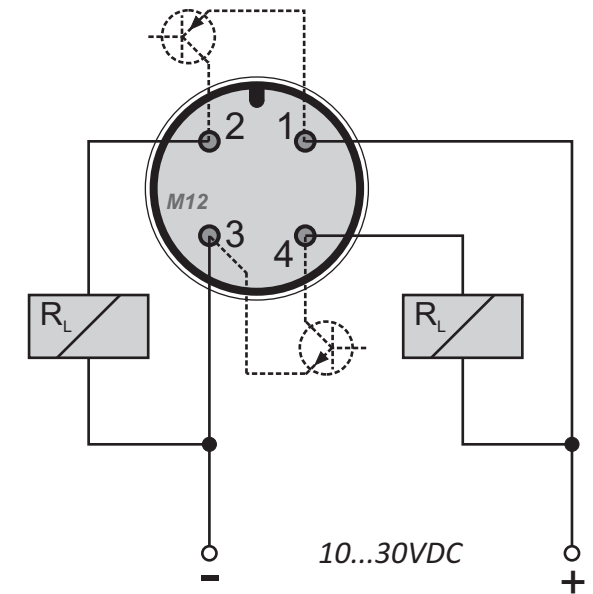
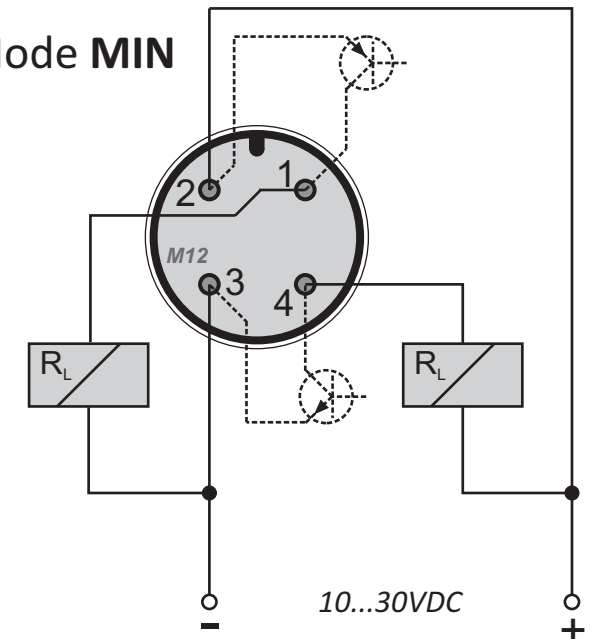


Mode MAX



Mode MIN



Operating mode	Level	Output	Control lamp	
			green LED	red LED
upper level detection MAX (overflow protection)		 CLOSED		
		 OPEN		
lower level detection MIN (dry running protection for pump)		 CLOSED		
		 OPEN		

- LED off,
 - LED on.

pin number	designation
1	mode MAX : power supply (clamp „+”), mode MIN : PNP output
2	mode MIN : power supply (clamp „+”), mode MAX : PNP output
3	power supply (clamp „-”) [24VDC]
4	mode MAX and MIN : NPN output